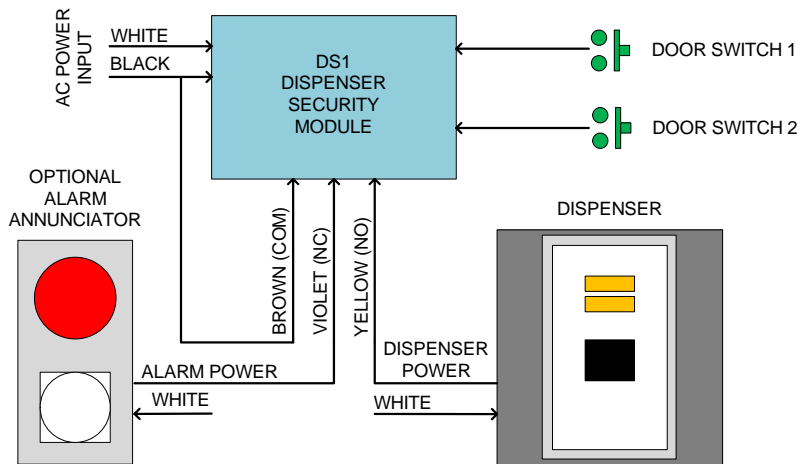


DS1 Dispenser Security Module

- The DS1 mounts into an electronic dispenser such as the Gilbarco advantage. It protects against fuel theft, skimming or tampering by automatically disconnecting power and optionally sounding an alarm when any cabinet door is opened. The dispenser can easily be reset by cycling power with the circuit breaker.

FEATURES

- STOPS THEFT -** Automatically disconnects power and stops fueling when any cabinet door is opened.
- EASY TO INSTALL -** Door sensors are easily mounted to the dispenser frame.
- HIGH POWER SWITCHING -** 1 normally closed and 1 normally open contacts. (30 amps per contact)
- USES EXISTING POWER -** Operates from existing dispenser wiring, 110VAC or 220VAC
- 2 YEAR WARRANTY**



SPECIFICATIONS	
Operating Voltage:	90 VAC to 260 VAC
Operating Temperature Range:	-40 to 150 degrees F.
Current Draw:	< 0.25A @ 120 VAC
Relay Type	SPDT
Relay Current Rating	30 Amps @ 120VAC

PART NUMBERS	
Model Number:	Description:
DS1-SP-A	Dispenser Security Module, Single Pole Output
DS1-DP-A	Dispenser Security Module, Double Pole Output



Integrated Control Systems Inc.
 1425 American Way, Cedar Hill, TX. 75104
 PH: (972) 291-6064
 FAX: (972) 291-5975
WWW.INTCONSYS.COM

For more information, please visit our website at:
WWW.INTCONSYS.COM